

## Multilayer Beads / High CurrentSuppressions MI4532 SERIES ~

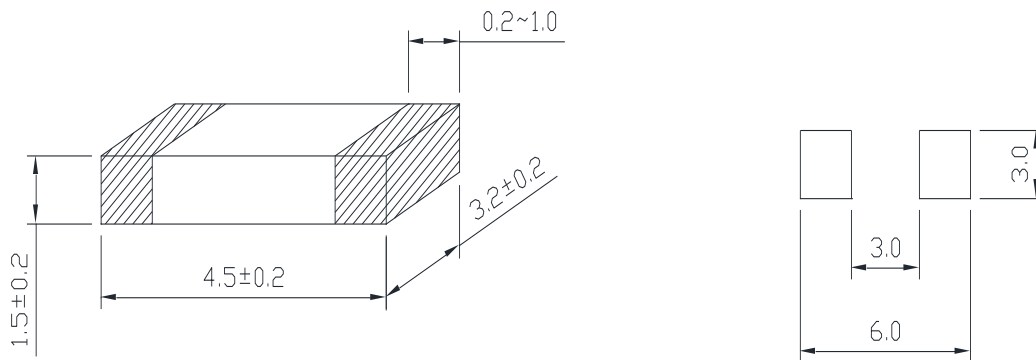


### PART NUMBERING SYSTEM

<b>MI</b>	<b>4532</b>	—	<b>132</b>	—	<b>3A</b>	—	<b>LF</b>
TYPE	DIMENSIONS		IMPEDANCE		DC CURRENT		LEAD FREE

### SHAPES AND DIMENSIONS

UNIT : mm



### SPECIFICATION TABLE

PART NUMBER	IMPEDANCE (Ω) at 100MHz	DCR (Ω) (Max.)	IDC (A) (Max.)
MI4532-700-6A-LF	70±25%	0.020	6.0
MI4532-800-6A-LF	80±25%	0.010	6.0
MI4532-900-9A-LF	90±25%	0.004	9.0
MI4532-101-8A-LF	100±25%	0.007	8.0
MI4532-121-3A-LF	120±25%	0.040	3.0
MI4532-121-5A-LF	120±25%	0.020	5.0
MI4532-151-3A-LF	150±25%	0.040	3.0
MI4532-151-5A-LF	150±25%	0.020	5.0
MI4532-601-3A-LF	600±25%	0.040	3.0
MI4532-681-4A-LF	680±25%	0.030	4.0
MI4532-132-3A-LF	1300±25%	0.060	3.0

- Test equipment: Agilent/HP-4291A impedance analyzer or equipment.
- Operating temperature range -55°C to +125°C / Electrical specifications at 25°C
- Noise reduction solution for general signal line.
- Great reduce the possibility of resonance and signal wave forms undistorted.
- Excellent solder heat resistance.
- Various impedances are available to match signal frequency.

Our specification limit the quality of the component to a single unit.  
Please ensure the component is thoroughly evaluated in your application circuit  
Revised Feb 2023

## IMPEDANCE vs FREQUENCY

